



**Food Processor
Cutter mixer 2.6 lt with transparent
copolyester bowl 1500 rpm -
Australia**

ITEM # _____

MODEL # _____

NAME # _____

SIS # _____

AIA # _____



602217 (DK26PAU)

Cutter mixer 2.6 lt with transparent copolyester bowl 1500 rpm - Australia

Short Form Specification

Item No. _____

Table top cutter mixer. 2,6 litres, transparent copolyester bowl with scraper and central feed hole for adding products in mid-cycle. Transparent copolyester lid. Microtoothed blade rotor. Angled blades and conical base of the bowl ensure consistent mixing. All ingredients are processed evenly and quickly thanks to a special flow generated inside the bowl. No-volt release system prevents accidental start of the appliance. All parts in contact with food are removable and Dishwasher safe. Waterproof, easy to clean, flat, soft-touch buttons. Single speed 1500 rpm with on/pulse/off function for simple operations.

Main Features

- Tabletop cutter mixer and emulsifier allowing fast chopping, mixing, mincing, griding, liquidizing and kneading.
- Includes 2,6 liter, transparent bowl with micro-toothed blades rotor.
- Bowl/lid scraper included for uniform smooth results (emulsifying) and continuous working.
- Transparent lid, with funnel shaped hole, to add ingredients during use.
- All ingredients are processed evenly and quickly thanks to a special movement generated inside the bowl.
- Easy to clean and waterproof control panel with flat on/off button and pulse function.
- Pulse function for coarse chopping.
- All parts in contact with food are removable without the use of tools, completely dismountable and dishwasher safe.
- Productivity up to 50 settings per service.

Construction

- Food safety assured in accordance to European directives and UK legislation. In addition, materials in contact with food, are BPA-free.
- Product safety conform to European directives, UK legislation and international health and safety standards.
- 1 speed: 1.500 rpm.
- Power: 500 Watts.
- Bowl in BPA-free, transparent copolyester.
- Micro-toothed blades in 420 AISI stainless steel and ergonomic scraper in resistant composite material to ensure consistent mixing.
- compact design, easy to move and store.
- IPX5 (IP55) waterproof, flat, touch-control panel.
- Main switch ON/OFF on the back of the appliance.
- Asynchronous industrial motor with no brushes for high reliability and quiet functioning, stainless steel motor shaft.

Included Accessories

- 1 of TRANSPARENT LID FOR 2,6LT CUTTER MIXER BOWL PNC 650117
- 1 of MICROTOOTHED BLADE ROTOR FOR 2.6LT CUTTER MIXER PNC 650226

APPROVAL: _____



Food Processor Cutter mixer 2.6 lt with transparent copolyester bowl 1500 rpm - Australia

- 1 of TRANSPARENT COPOLYESTER PNC 650229
BOWL FOR 2,6 LT CUTTER MIXER
- 1 of SCRAPER FOR 2.6LT CUTTER PNC 650230
MIXER BOWL

Optional Accessories

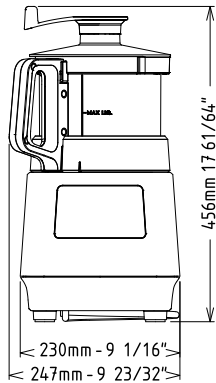
- TRANSPARENT LID FOR 2,6LT PNC 650117
CUTTER MIXER BOWL
- TRANSPARENT LID (WITHOUT PNC 650118
SEALING) FOR 3,6LT CUTTER
MIXER BOWL
- MICROTOOTHED BLADE ROTOR PNC 650226
FOR 2.6LT CUTTER MIXER
- SMOOTH BLADE ROTOR FOR PNC 650227
2.6LT CUTTER MIXER
- STAINLESS STEEL BOWL FOR 2,6 PNC 650228
LT CUTTER MIXER
- TRANSPARENT COPOLYESTER PNC 650229
BOWL FOR 2,6 LT CUTTER MIXER
- SCRAPER FOR 2.6LT CUTTER PNC 650230
MIXER BOWL
- STAINLESS STEEL BOWL FOR PNC 650231
2,6LT CUTTER MIXER,
MICROTOOTHED ROTOR, LID
WITH SCRAPER
- MICROTOOTHED BLADE ROTOR PNC 650233
FOR 3.6LT CUTTER MIXER
- SMOOTH BLADE ROTOR FOR PNC 650234
3.6LT CUTTER MIXER
- STAINLESS STEEL BOWL FOR PNC 650235
3.6LT CUTTER MIXER
- SCRAPER FOR 3.6LT CUTTER PNC 650236
BOWL
- TRANSPARENT BOWL FOR 2,6LT PNC 650245
CUTTER MIXER, MICROTOOTHED
ROTOR, LID WITH SCRAPER



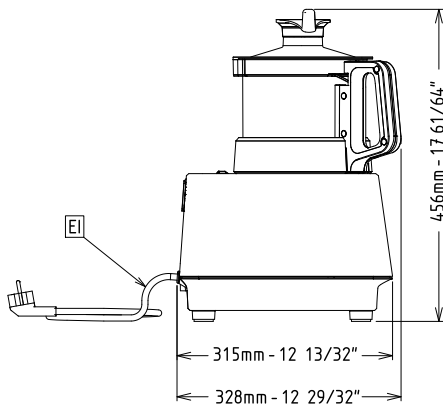


Food Processor Cutter mixer 2.6 lt with transparent copolyester bowl 1500 rpm - Australia

Front

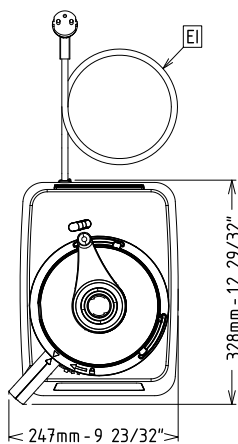


Side



EI = Electrical inlet
(power)

Top



Electric

Supply voltage: 220-240 V/1N ph/50 Hz
Electrical power max.: 0.5 kW
Total Watts: 0.5 kW

Capacity:

Performance (up to): 0 kg/Cycle
Capacity: 2.6 litres

Key Information:

External dimensions, Width: 247 mm
External dimensions, Depth: 328 mm
External dimensions, Height: 456 mm
Shipping weight: 17.3 kg
Net weight (kg): 12.7
Cold water paste:
Egg whites:



Food Processor
Cutter mixer 2.6 lt with transparent copolyester bowl 1500 rpm -
Australia
The company reserves the right to make modifications to the products
without prior notice. All information correct at time of printing.

2026.04.21